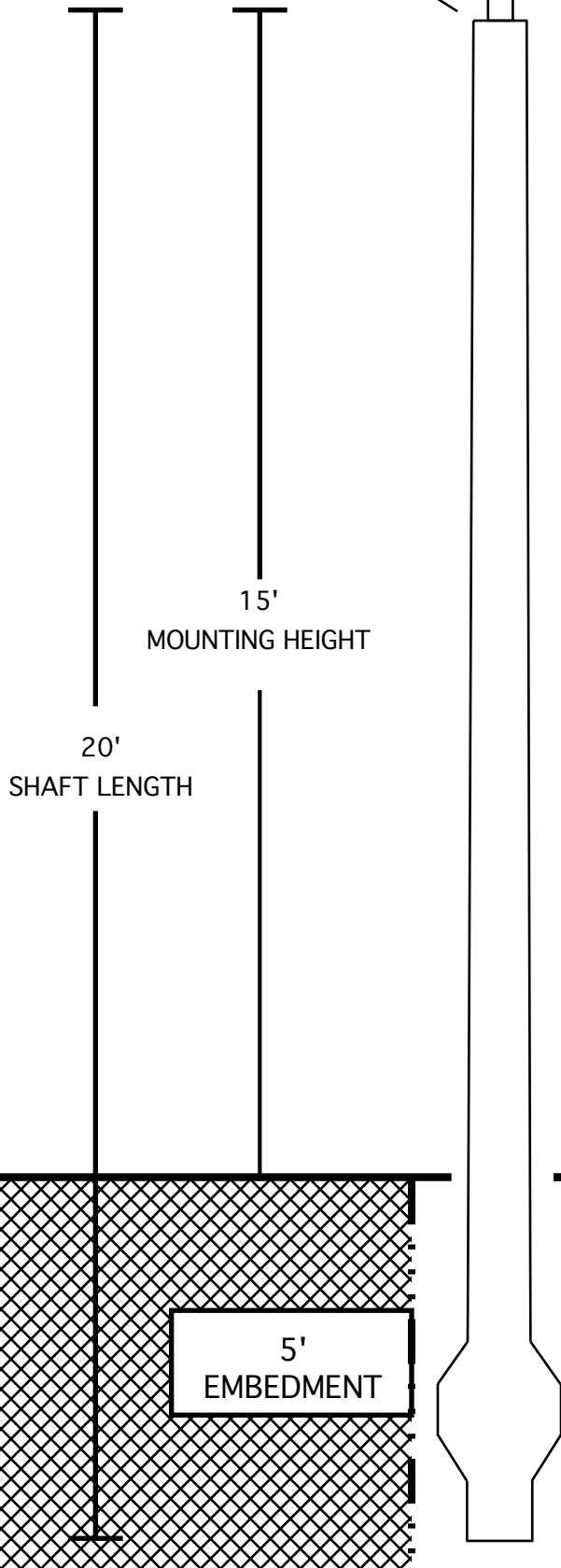


SOLAR DUTY POLE



2.38"X5" TENON



POLE SPECIFICATIONS

FILAMENT WOUND SECTIONAL COMPOSITE SHAFT CONSISTING OF CONTINUOUS FIBERGLASS ROVING COMBINED WITH THERMOSETTING POLYESTER RESIN WOUND IN LOW ANGLE HELICALS AND HIGH ANGLE HOOPS PROVIDING FOR MAXIMUM RESISTANCE TO DEFLECTION AND SHEAR. POLE FINISH IS A 10 TO 15 MIL THICK POLYESTER FINISHING RESIN

DIRECT BURIAL POLE ASTM 4923 CLASS 1 (POLE TOP DEFLECTION SHALL NOT EXCEED 15% OF THE ABOVE HEIGHT @MAX WIND LOADING AND MAX FIXTURE WEIGHT) DESIGN CRITERIA PER AASHTO LTS-5-S-2012 AND ANSI C136.20-2012 WITH A MIN SAFETY FACTOR OF 2.0.

SUBMITTAL DRAWING

- | | |
|--|----------------------------------|
| <input type="checkbox"/> APPROVED | <input type="checkbox"/> NATURAL |
| <input type="checkbox"/> APPROVED AS NOTED | <input type="checkbox"/> BLACK |
| <input type="checkbox"/> DISAPPROVED | |

CATALOG NUMBER: DX20AXDN2X5-STEALTH

- | |
|---|
| <input type="checkbox"/> MAXIMUM FIXTURE EPA = 10 |
| <input type="checkbox"/> MAXIMUM WIND VELOCITY = 170MPH |