

# ***SLI STEALTH***

## ***LED SOLAR STREET LIGHT***



<b>Product Name</b>	<b>SLI Stealth LED Solar Street Light</b>
<b>Specification</b>	<b>SLI-40W-STEALTH SLI-80W-STEALTH SLI-120W-STEALTH</b>
<b>Date</b>	<b>2018-08-01</b>
<b>Version</b>	<b>REV 1.0</b>

## Features & Advantages

- Unique Patented Design
- Patented smart working modes for longer lighting time
- Remote controller add on makes changing the work modes effortless
- Professional light distribution optical lens for a wide lighting area and more brightness
- High Quality Mono-crystalline Solar Panel
- Lights modules and bracket feature adjustable angles, to get maximum sun hours
- Wide angle detection enables body movement in a larger area plus longer distance

## Product Image

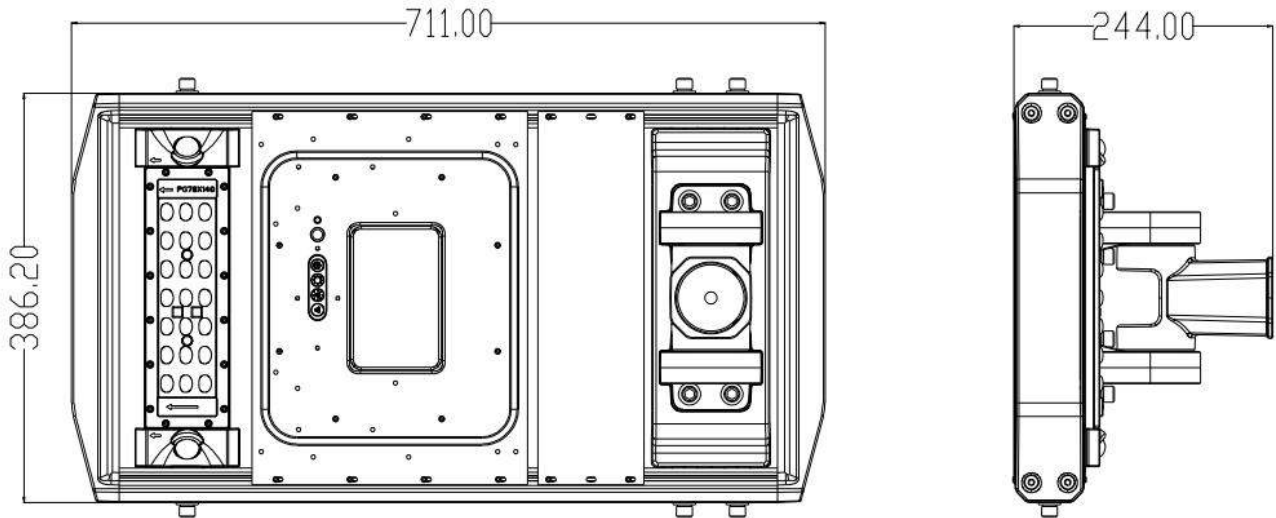
<b>Single Head</b>	 <b>1x40W</b>	 <b>2x40W</b>	 <b>3x40W</b>
<b>Dual Head</b>		 <b>40W+40W PIR</b>	 <b>40W+2*40W PIR</b>

## Specifications

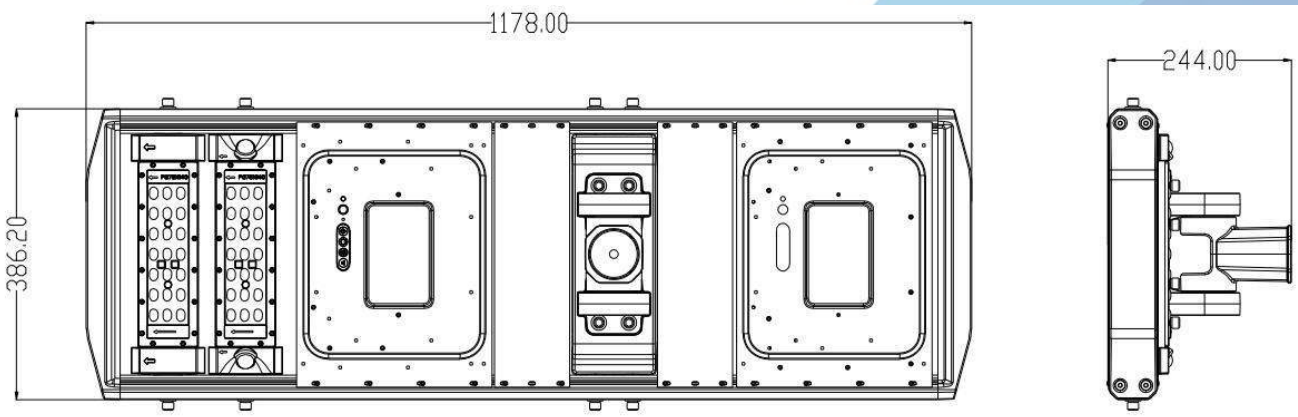
Product Model	SLI-40W-STEALTH	SLI-80W-STEALTH	SLI-120W-STEALTH
Power	40W	80W	120W
Lumen/LED Type	6000LM Phillips 5050	12000LM Phillips 5050	18000LM Phillips 5050
Battery	Li-ion battery, 244Wh/11.1V	Li-ion battery, 473Wh/14.8V	Li-ion battery, 710Wh/14.8V
Solar Panel	Mono-crystalline 33W	Mono-crystalline 55W	Mono-crystalline 82W
Dimensions	711.0*386.0*243.0mm	1178.0*386.0*243.0 mm	1616.0*386.0*243.0mm
Charging Time	6Hrs/Day	6Hrs/Day	6Hrs/Day
Working Time	5 days	5 days	5 days
Beam angle	140°X70° Type 3	140°X70° Type 3	140°X70° Type 3
PIR sensor Range	Detection angle: 150° Detection area:<15M	Detection angle: 150° Detection area:<15M	Detection angle: 150° Detection area:<15M
IP Class	IP65	IP65	IP65
Working Temp	-4°F - 122°F -20C°- 50C°	-4°F - 122°F -20C°- 50C°	-4°F - 122°F -20C°- 50C°
Housing Material	Aluminum+ABS+PC	Aluminum+ABS+PC	Aluminum+ABS+PC
Warranty	36 months	36 months	36 months
Installation Height & Size	10' - 15' or 3-5 Meters (Pole: 2" Sched 40 or 60mm OD)	15' - 25' or 5-8 Meters (Pole: 2" Sched 40 or 60mm OD)	15' - 25' or 5-8 Meters (Pole: 2" Sched 40 or 60mm OD)

# Product Dimension

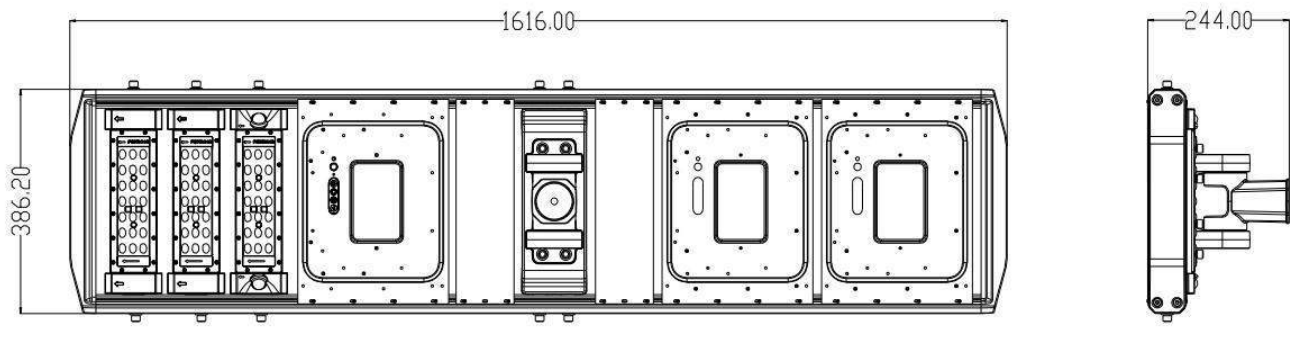
40W



80W





120W




## Working Modes:

 On / Off


 Switch / Confirm

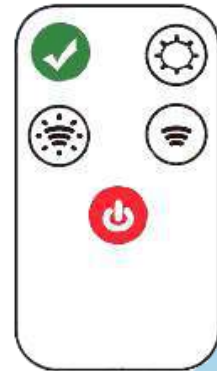
 **Constant Lighting Mode**  
Automatically turns on at dusk and retains 50% brightness



 **PIR Sensor Mode**  
Automatically turns on to full brightness when motion is detected in the range of  $\leq 50$  feet or  $\leq 15$  Meters. Light then dims to 5% brightness in 20 seconds if no additional motion is detected.



 **Constant Lighting & PIR Sensor Mode**  
Automatically turns on at dusk and illuminates with 50% brightness for up to 5 hours; then switches to PIR sensor mode.



**IR Remote Control**  
Control Distance  $\leq 50$  feet / or  $\leq 15$  Meters

## Operation Instructions for 40W / 80W / 120W Single LED Street Light



1. Press and hold the on/off button for 3-5 seconds. Light should light up for 3 seconds then turn off, which indicates that the lamp and the remote control are activated.  
To turn off the lamp; press and hold the on/off button for 3-5 seconds to turn off the lamp and deactivate the remote control.
2. Press the function buttons on the lamp or remote control to select the desired working mode.

**Note:** The default lamp working mode is 'constant' The default mode can be changed at the end users' request before shipment.



## Operation Instructions for 40W / 80W / 120W Double LED Street Light



1. Press and hold the on/off button for 3-5 seconds. Light should light up for 3 seconds then turn off, which indicates that the lamp and the remote control are activated. To turn off the lamp; press and hold the on/off button for 3-5 seconds to turn off the lamp and deactivate the remote control.

### 2. Working Mode Setting:

- A. After the lamp is activated, press the on/off button on the lamp OR the ✓ button on the remote control. The lamp module on one side will flash. Now press the function button to select desired working mode. The lamp will light up for 3-5 seconds then flash to indicate the working mode of one side is successfully set up.
- B. Press the on/off button on the lamp OR the ✓ button on the remote control again. The lamp module on the other side will flash. Now press the function button to select the desired working mode. The lamp will now light up for 3-5 seconds and then flash to indicate the working mode of the other side is successfully set up.
- C. Press the on/off button on the lamp OR the ✓ button on the remote control one more time to confirm the lamp is completely set up.

**Note:** The default lamp working mode is 'constant' The default mode can be changed at the end users' request before shipment.